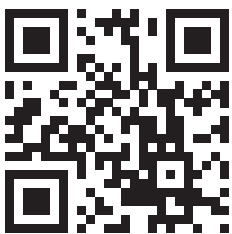




ASSEMBLY MANUAL

Side Table



Getting Started

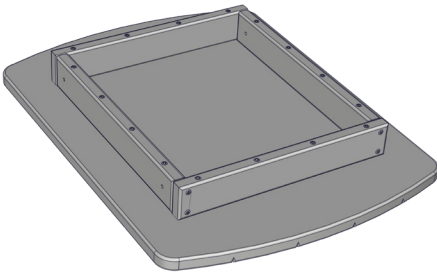
TOOLS INCLUDED

Allen Wrench

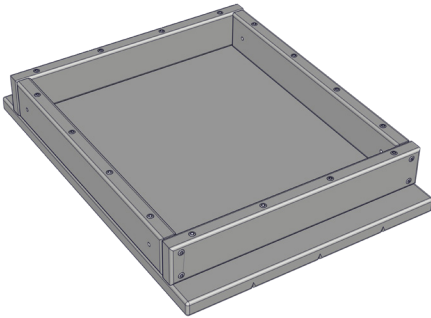


END TABLE PARTS

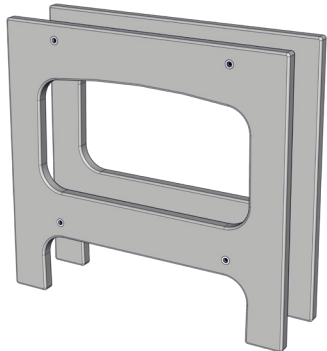
Table Top Assembly (1)



Shelf Assembly (1)

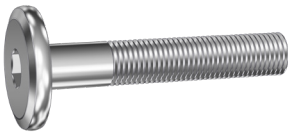


Side Pieces (2)



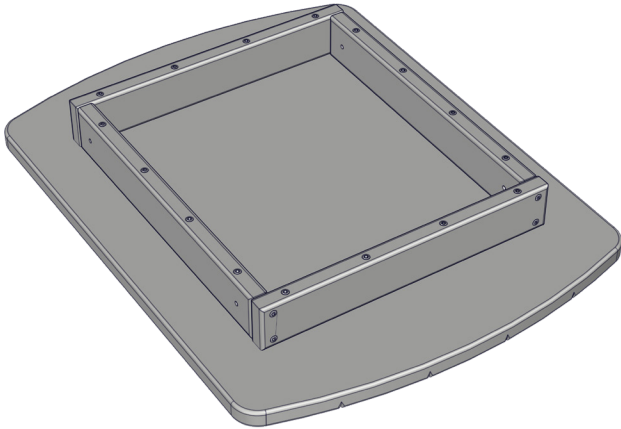
HARDWARE

1 ¼" Bolts (8)



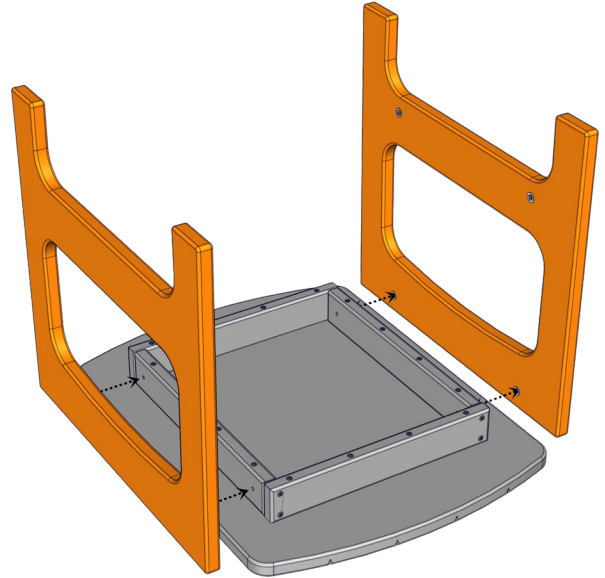
STEP 1

Begin the assembly by placing the table top face down on a clean and flat surface.



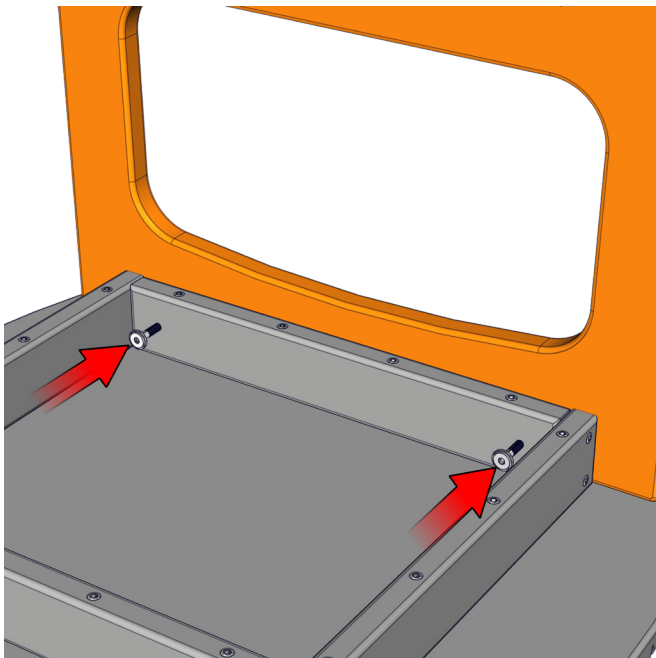
STEP 2

Place the two table sides on either side of the table top frame. The insert nuts on the side pieces need to face IN to align with the holes on the frame.



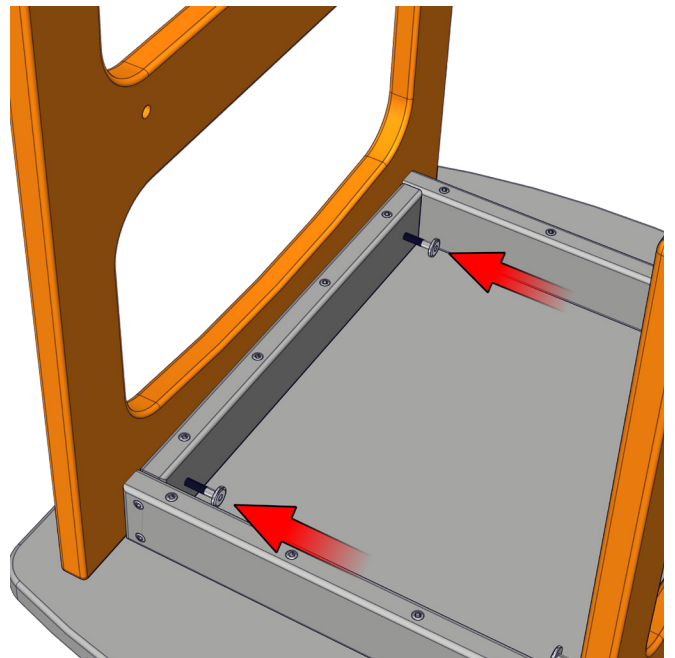
STEP 3

Fasten each side piece to the table top frame using two (2) 1 ¼" bolts per side through the pre-drilled holes.



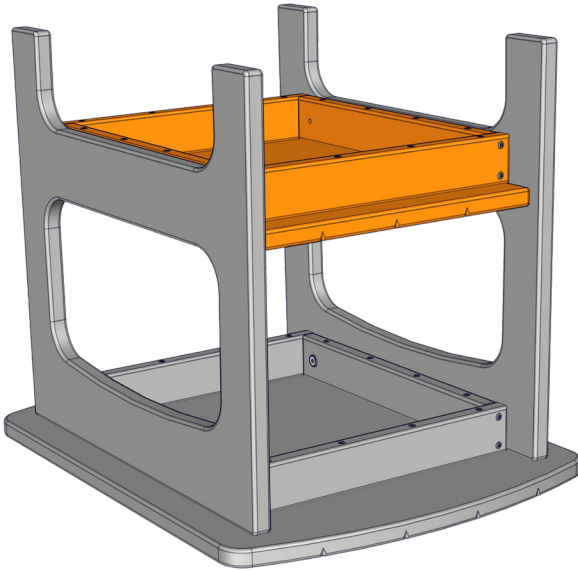
STEP 4

Fasten both side pieces to the table top frame before moving on to the next step.



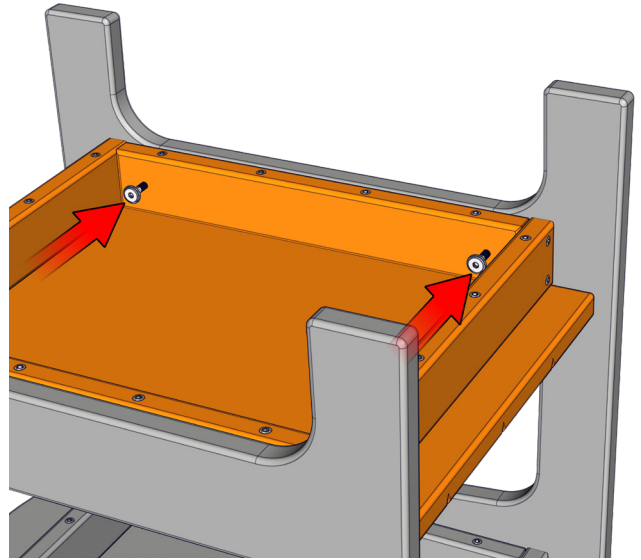
STEP 5

Place the shelf assembly between the side pieces and align the four holes.



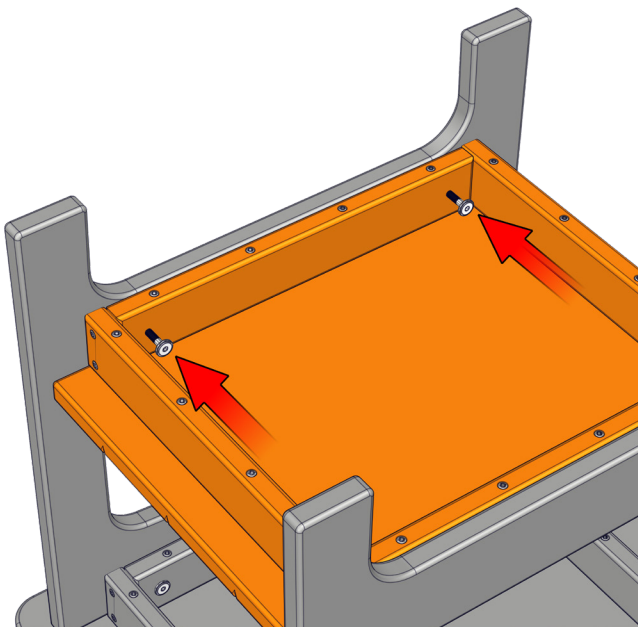
STEP 6

Fasten the shelf in place using four (4) 1 ¼" bolts through the pre-drilled holes.



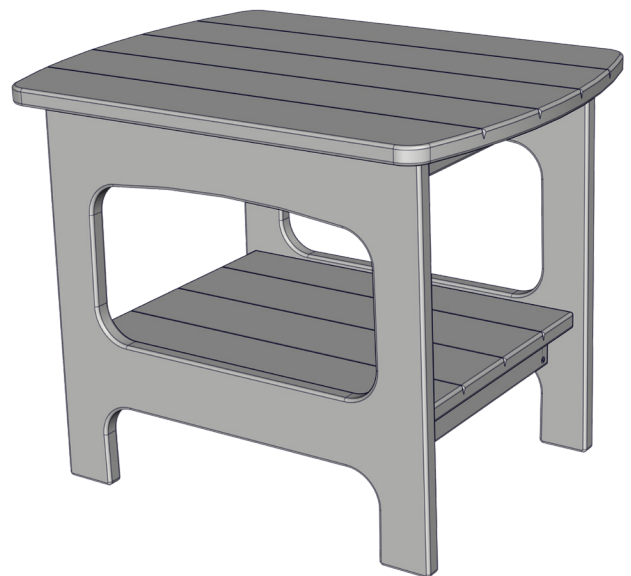
STEP 7

Fasten both sides of the shelf before moving on to the next step.



STEP 8

Check the fasteners to ensure that everything is secure then set the side table upright and enjoy!



The VaraMora Side Table is a great complimentary piece to any piece of VaraMora deep seating furniture.



Care & Maintenance

POLY MATERIAL

General Cleaning

Scrub boards with soap and water solution using a soft sponge or plastic bristled brush. You can use a soft bristled toothbrush to clean spaces that are hard to reach. To remove surface dust, hose furniture down with cold, clear water.

Deep Cleaning

A pressure washer can be used on the lightest setting to deep clean your furniture. It is not recommended to use more than 1,500 psi. Keep the tip of the pressure washer at least 10-12 inches from the furniture so it doesn't damage the material.

For a list of specific stain removal, visit TangentMaterials.com.

Contact Us

Need help or have questions, we're happy to assist you. Call us at 610.857.1359 Mon-Fri 8am-5pm.